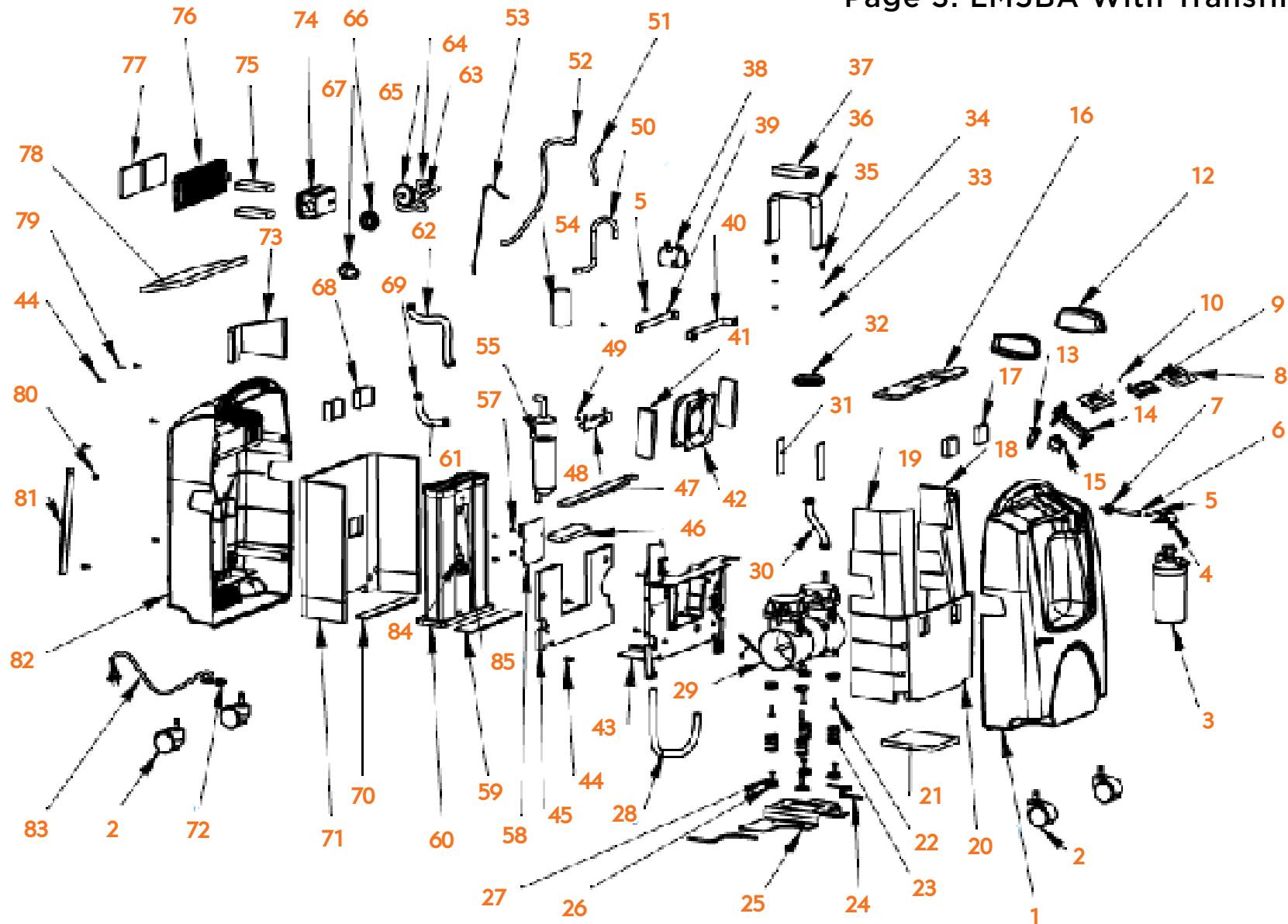


LM5BA STATIONARY OXYGEN CONCENTRATOR DIAGRAM

(PAGE 1: DIAGRAM APPLIES TO BOTH WITHOUT TRANSFILL AND WITH TRANSFILL VERSIONS)

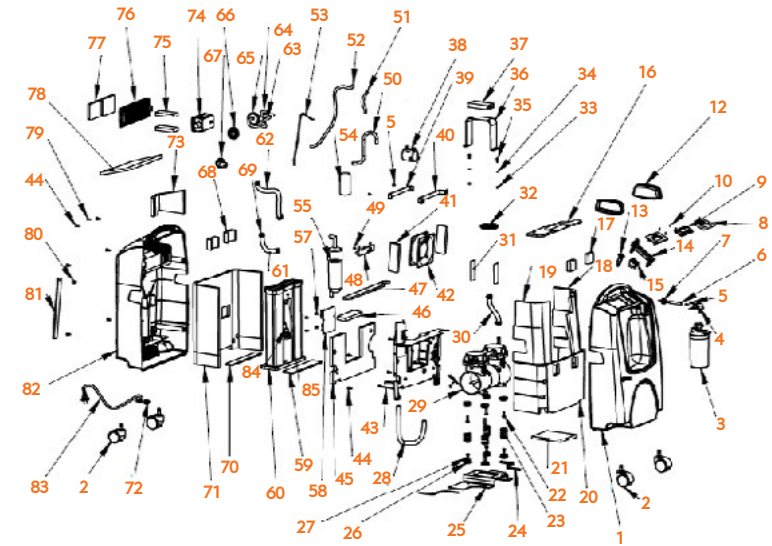
Page 2: LM5BA Without Transfill - Parts

Page 3: LM5BA With Transfill - Parts



LM5BA (WITHOUT TRANSFILL) PARTS

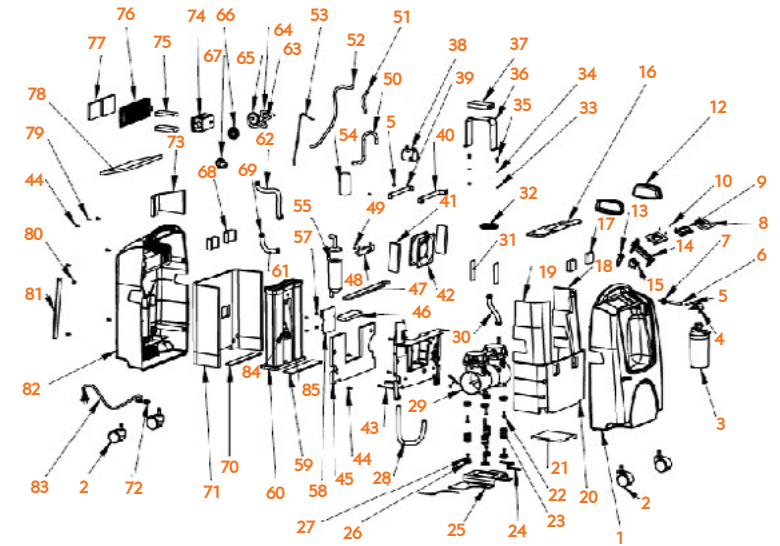
DESCRIPTION	DIAGRAM #	RHYTHM ITEM #
FRONT SHELL	1	LM5BA-FC
CASTER	2	LM5BA-TRN
HUMIDIFYING BOTTLE	3	
OXYGEN OUTLET	4	LM5BA-001
SCREW (ST4x12L)	5	
SILICONE TUBE (5x9x90L)	6	LM5BA-OPI
CHECK VALVE	7	
SCREEN LABEL (97x54x0.6)	8	LM5BA-002
DISPLAY SCREEN	9	LM5BA-LCD
SCREW (ST2.9x10L)	10	
HANDLE	12	LM5BA-HNDL
CIRCUIT BREAKER (6A)	13	
FLOW METER (5L)	14	LM5BA-5FM
POWER SWITCH	15	LM5BA-PS
FRONT SHELL FOAM-4 (326.5x70x7)	16	
FRONT SHELL FOAM-5 (38x38x16)	17	
FRONT SHELL FOAM-2 (250x190x12)	18	
FRONT SHELL FOAM-3 (250x190x12)	19	
FRONT SHELL FOAM-1 (574x210x12)	20	
FRONT SHELL FOAM-6 (140x118x12)	21	
SCREW (M5x20L)	22	
SPRING	23	
SILICONE TAPE (6x6x180)	24	
ALUMINUM PLATE (340x149x2.5)	25	
CUSHIONED FOOT SEAT	26	
COUNTERSUNK SCREW (M6x16L)	27	
BRAIDED SILICONE TUBE (9.5x16.5x330L)	28	
COMPRESSOR (115V 60Hz)	29	LM5BA-COMP
BRAIDED SILICONE TUBE (9.5x16.5x140L)	30	
ANTI-COLLISION FOAM-1 (85x15x3 XPE)	31	
PROTECTIVE CASE (60)	32	
HEXAGON NUT (M5)	33	
ELASTIC WASHER (5)	34	
SCREW (M5x12L)	35	
COMPRESSOR HOLDERS	36	
ANTI-COLLISION FOAM-2 (92x46x7 PU)	37	
NITROGEN SILENCER	38	
ANTI-COLLISION FOAM (187.8x15x3 XPE)	39	
MOLECULAR SIEVE BRACKET	40	
BRACKET FOAM-4 (115x40x12)	41	
FAN (115V 50/60Hz)	42	LM5BA-CF
BRACKET	43	
SCREW (ST5x16L)	44	
BRACKET FOAM-2 (193.3x336.8x12)	45	
BRACKET FOAM-3 (130x40x12)	46	
BRACKET FOAM-1 (340x37x7)	47	
OXYGEN SENSOR	48	LM5BA-LS
SCREW (ST2.9x10L)	49	
RADIATING TUBE (8x10)	50	
SILICONE TUBE (5x9x8L)	51	
SILICONE TUBE (5x9x350L)	52	
SILICONE TUBE (1.5x4.5x265L)	53	



DESCRIPTION	DIAGRAM #	RHYTHM ITEM #
CAPACITANCE (25µF)	54	
MUFFLER, UP & DOWN ASM	55	LM5BA-MUD
SCREW (ST4x10L)	57	
CIRCUIT BOARD (115V)	58	LM5BA-PCB
BRACKET FOAM-5 (220x48x5)	59	
OXYGEN SYSTEM	60	LM5BA-MSO
BRAIDED SILICONE TUBE (9.5x16.5x115L)	61	
BRAIDED SILICONE TUBE (9.5x16.5x250L)	62	
SILICONE TUBE (5x9x350L)	63	
SILICONE TUBE (5x9x250L)	64	
BACTERIAL FILTER (53.6x59)	65	LM5BA-BF
TURNING JOINT	66	
FILTER SOCKET	67	
BACK SHELL FOAM-4 (41x66.5x20)	68	
CLAMP (10-16)	69	
BACK SHELL FOAM-3 (230x30x5)	70	
BACK SHELL FOAM-1 (555x130x12)	71	
CABLE CLIP (6P-4)	72	LM5BA-006
BACK SHELL FOAM-6 (155x75x12)	73	
INTAKE FILTER (91x56.3x64.5)	74	LM5BA-ILF
BACK SHELL FOAM-5 (85x40x12)	75	
VENTILATION BAFFLES	76	LM5BA-VD
INTAKE FILTER FOAM (92x70x9)	77	LM5BA-ITF
BACK SHELL FOAM-2 (300x134x12)	78	
COUNTERSUNK SCREW (ST2.9x10L)	79	
FIXING BUCKLE (14x11.8)	80	
SELF-ADHESIVE TYPE (25x250)	81	LM5BA-PCS
BACK COVER	82	LM5BA-RC
POWER CORD (125V 10A)	83	LM5BA-PC
PRESSURE REGULATING VALVE	84	LM5BA-PRV
SOLENOID VALVE	85	LM5BA-SV

LM5BA (WITH TRANSFILL) PARTS

DESCRIPTION	DIAGRAM #	RHYTHM ITEM #
FRONT SHELL	1	LM5BA-FCTP
CASTER	2	LM5BA-TRNTP
HUMIDIFYING BOTTLE	3	
OXYGEN OUTLET	4	LM5BA-001
SCREW (ST4x12L)	5	
SILICONE TUBE (5x9x90L)	6	LM5BA-OPI
CHECK VALVE	7	
SCREEN LABEL (97x54x0.6)	8	LM5BA-002
DISPLAY SCREEN	9	LM5BA-LCD
SCREW (ST2.9x10L)	10	
HANDLE	12	LM5BA-HNDL
CIRCUIT BREAKER (6A)	13	
FLOW METER (5L)	14	LM5BA-5FM
POWER SWITCH	15	LM5BA-PS
FRONT SHELL FOAM-4 (326.5x70x7)	16	
FRONT SHELL FOAM-5 (38x38x16)	17	
FRONT SHELL FOAM-2 (250x190x12)	18	
FRONT SHELL FOAM-3 (250x190x12)	19	
FRONT SHELL FOAM-1 (574x210x12)	20	
FRONT SHELL FOAM-6 (140x118x12)	21	
SCREW (M5x20L)	22	
SPRING	23	
SILICONE TAPE (6x6x180)	24	
ALUMINUM PLATE (340x149x2.5)	25	
CUSHIONED FOOT SEAT	26	
COUNTERSUNK SCREW (M6x16L)	27	
BRAIDED SILICONE TUBE (9.5x16.5x330L)	28	
COMPRESSOR (115V 60Hz)	29	LM5BA-COMP
BRAIDED SILICONE TUBE (9.5x16.5x140L)	30	
ANTI-COLLISION FOAM-1 (85x15x3 XPE)	31	
PROTECTIVE CASE (60)	32	
HEXAGON NUT (M5)	33	
ELASTIC WASHER (5)	34	
SCREW (M5x12L)	35	
COMPRESSOR HOLDERS	36	
ANTI-COLLISION FOAM-2 (92x46x7 PU)	37	
NITROGEN SILENCER	38	
ANTI-COLLISION FOAM (187.8x15x3 XPE)	39	
MOLECULAR SIEVE BRACKET	40	
BRACKET FOAM-4 (115x40x12)	41	
FAN (115V 50/60Hz)	42	LM5BA-CF
BRACKET	43	
SCREW (ST5x16L)	44	
BRACKET FOAM-2 (193.3x336.8x12)	45	
BRACKET FOAM-3 (130x40x12)	46	
BRACKET FOAM-1 (340x37x7)	47	
OXYGEN SENSOR	48	LM5BA-LS
SCREW (ST2.9x10L)	49	
RADIATING TUBE (8x10)	50	
SILICONE TUBE (5x9x8L)	51	
SILICONE TUBE (5x9x350L)	52	
SILICONE TUBE (1.5x4.5x265L)	53	



DESCRIPTION	DIAGRAM #	RHYTHM ITEM #
CAPACITANCE (25µF)	54	
MUFFLER, UP & DOWN ASM	55	LM5BA-MUD
SCREW (ST4x10L)	57	
CIRCUIT BOARD (115V)	58	LM5BA-PCB
BRACKET FOAM-5 (220x48x5)	59	
OXYGEN SYSTEM	60	LM5BA-MSO
BRAIDED SILICONE TUBE (9.5x16.5x115L)	61	
BRAIDED SILICONE TUBE (9.5x16.5x250L)	62	
SILICONE TUBE (5x9x350L)	63	
SILICONE TUBE (5x9x250L)	64	
BACTERIAL FILTER (53.6x59)	65	LM5BA-BF
TURNING JOINT	66	
FILTER SOCKET	67	
BACK SHELL FOAM-4 (41x66.5x20)	68	
CLAMP (10-16)	69	
BACK SHELL FOAM-3 (230x30x5)	70	
BACK SHELL FOAM-1 (555x130x12)	71	
CABLE CLIP (6P-4)	72	LM5BA-006
BACK SHELL FOAM-6 (155x75x12)	73	
INTAKE FILTER (91x56.3x64.5)	74	LM5BA-ILF
BACK SHELL FOAM-5 (85x40x12)	75	
VENTILATION BAFFLES	76	LM5BA-VD
INTAKE FILTER FOAM (92x70x9)	77	LM5BA-ITF
BACK SHELL FOAM-2 (300x134x12)	78	
COUNTERSUNK SCREW (ST2.9x10L)	79	
FIXING BUCKLE (14x11.8)	80	
SELF-ADHESIVE TYPE (25x250)	81	LM5BA-PCS
BACK COVER	82	LM5BA-RCTP
POWER CORD (125V 10A)	83	LM5BA-PC
PRESSURE REGULATING VALVE	84	LM5BA-PRV
SOLENOID VALVE	85	LM5BA-SV